

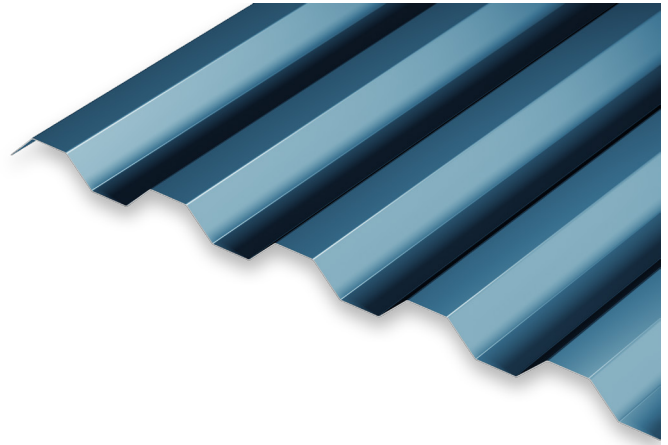
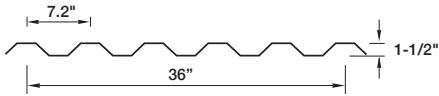
7.2 PANEL

MATERIALS

.032 aluminum	24 gauge steel
.040 aluminum	22 gauge steel
.050 aluminum	Galvalume Plus

SPECS

36" Wide 1-1/2" High



PRODUCT FEATURES

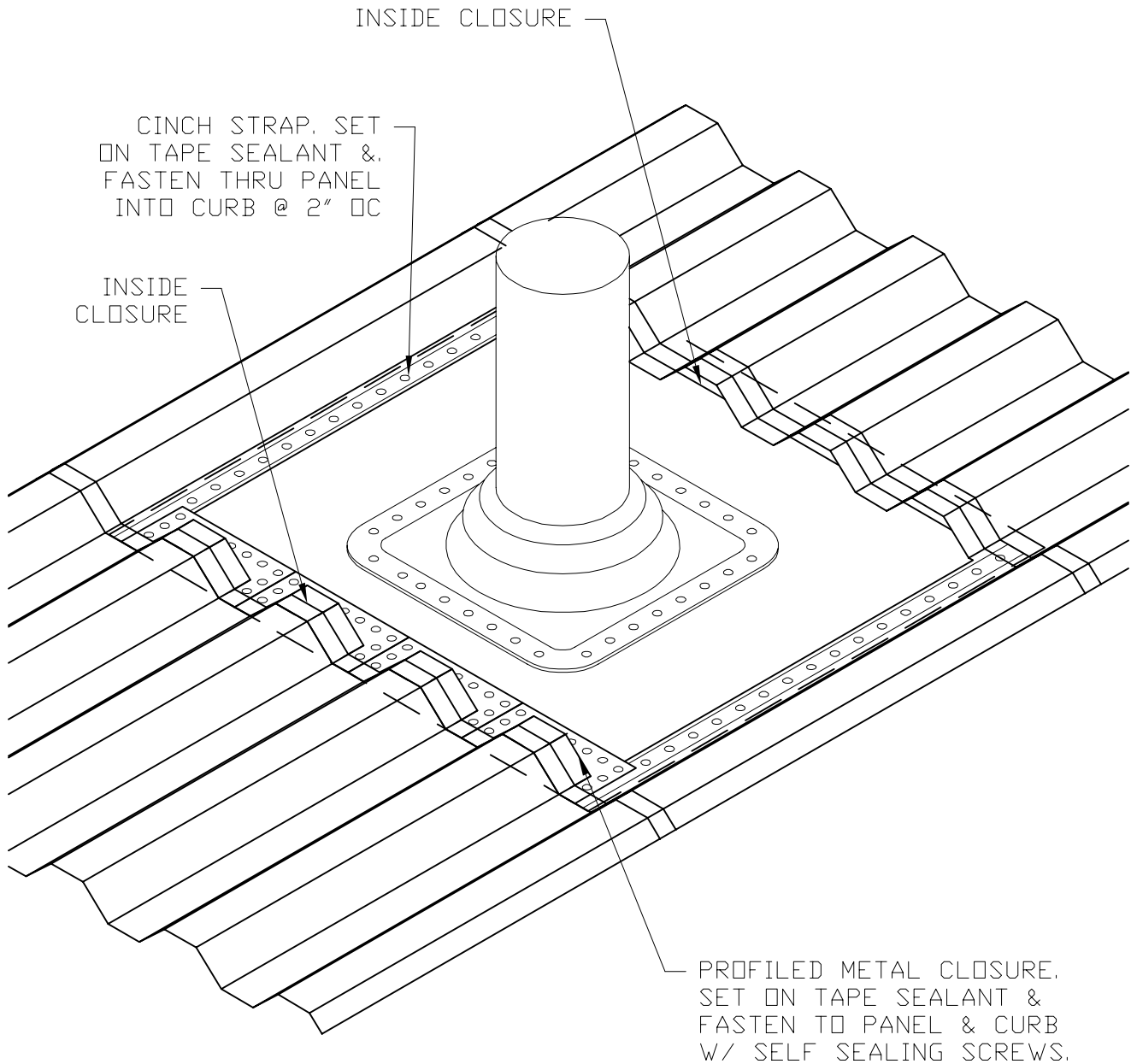
- ▶ 30-year non-prorated finish warranty
- ▶ Matching screws and rivets
- ▶ Closure strips available
- ▶ Precut short lengths (5'-0" minimum) (3'-0" on the M-42)
- ▶ Panel lengths up to 30' on steel and 22' on aluminum

MATERIAL

- ▶ 43 stocked colors (24 gauge steel)
- ▶ 16 Stocked colors (22 gauge steel)
- ▶ 36 stocked colors (.032 aluminum)
- ▶ 22 stocked colors (.040 aluminum)
- ▶ 29 stocked colors (.050 aluminum)
- ▶ Galvalume Plus available

FLORIDA BUILDING PRODUCT APPROVALS

Please refer to pac-clad.com or your local factory for specific product approval numbers for exposed fastener panels.



Job Name _____ Contractor _____

Date _____ Notes _____

PETERSEN ALUMINUM CORPORATION
PAC-CLAD.COM SALES@PETERSENMAIL.COM

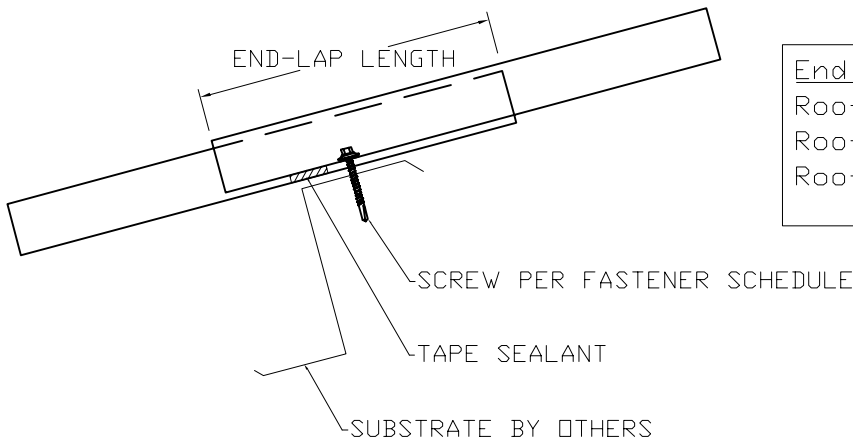
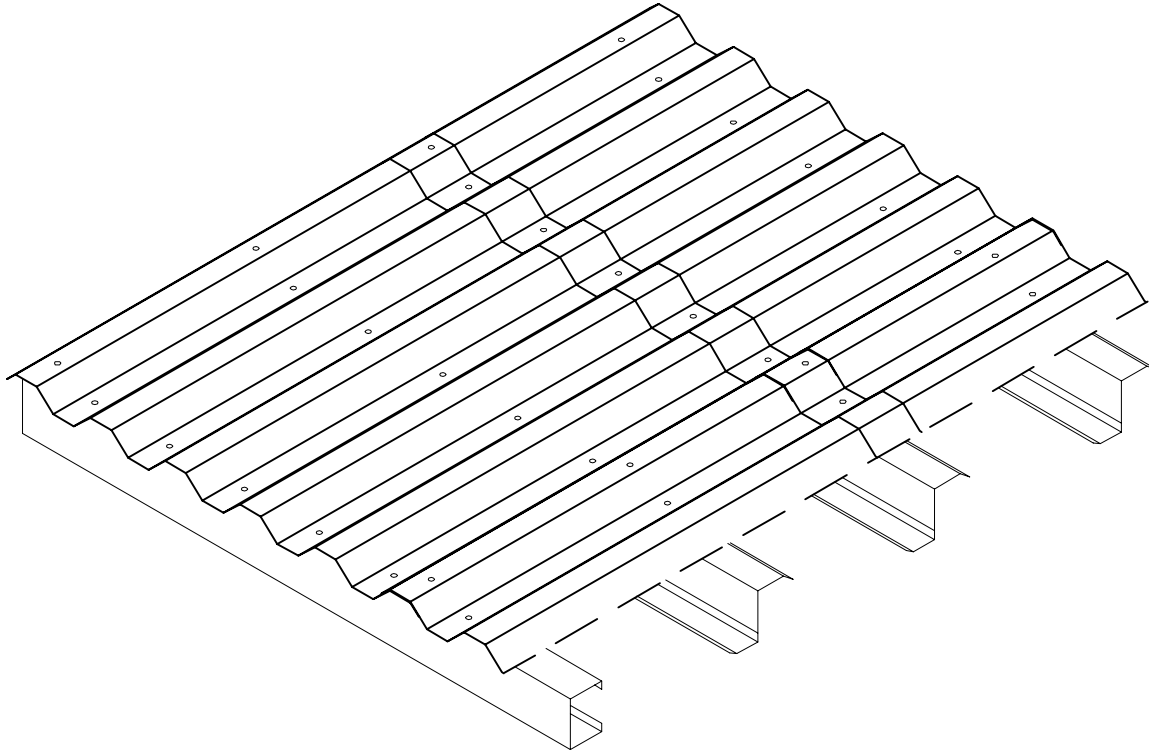
Petersen Headquarters
 1005 Tonne Road
 Elk Grove Village, IL 60007
 P 800 PAC CLAD
 F 800 722 7150

Annapolis Junction
 9060 Junction Drive
 Annapolis Junction, MD 20701
 P 800 344 1400
 F 301 953 7627

Tyler
 10551 PAC Road
 Tyler, TX 75707
 P 800 441 8661
 F 903 581 8592

Acworth
 102 Northpoint Pkwy
 Acworth, GA 30102
 P 800 272 4482
 F 770 420 2533

Andover
 1885 Station Pkwy NW, Ste B
 Andover, MN 55304
 P 877 571 2025
 F 866 901 2935



End Lap Minimum Lengths:
 Roof Slope: $\frac{2}{12}$ & below - 12" Minimum
 Roof Slope: $\frac{3}{12}$ - 9" Minimum
 Roof Slope: $\frac{4}{12}$ & greater - 6" Minimum

Job Name _____ Contractor _____

Date _____ Notes _____

PETERSEN ALUMINUM CORPORATION

PAC-CLAD.COM SALES@PETERSENMAIL.COM

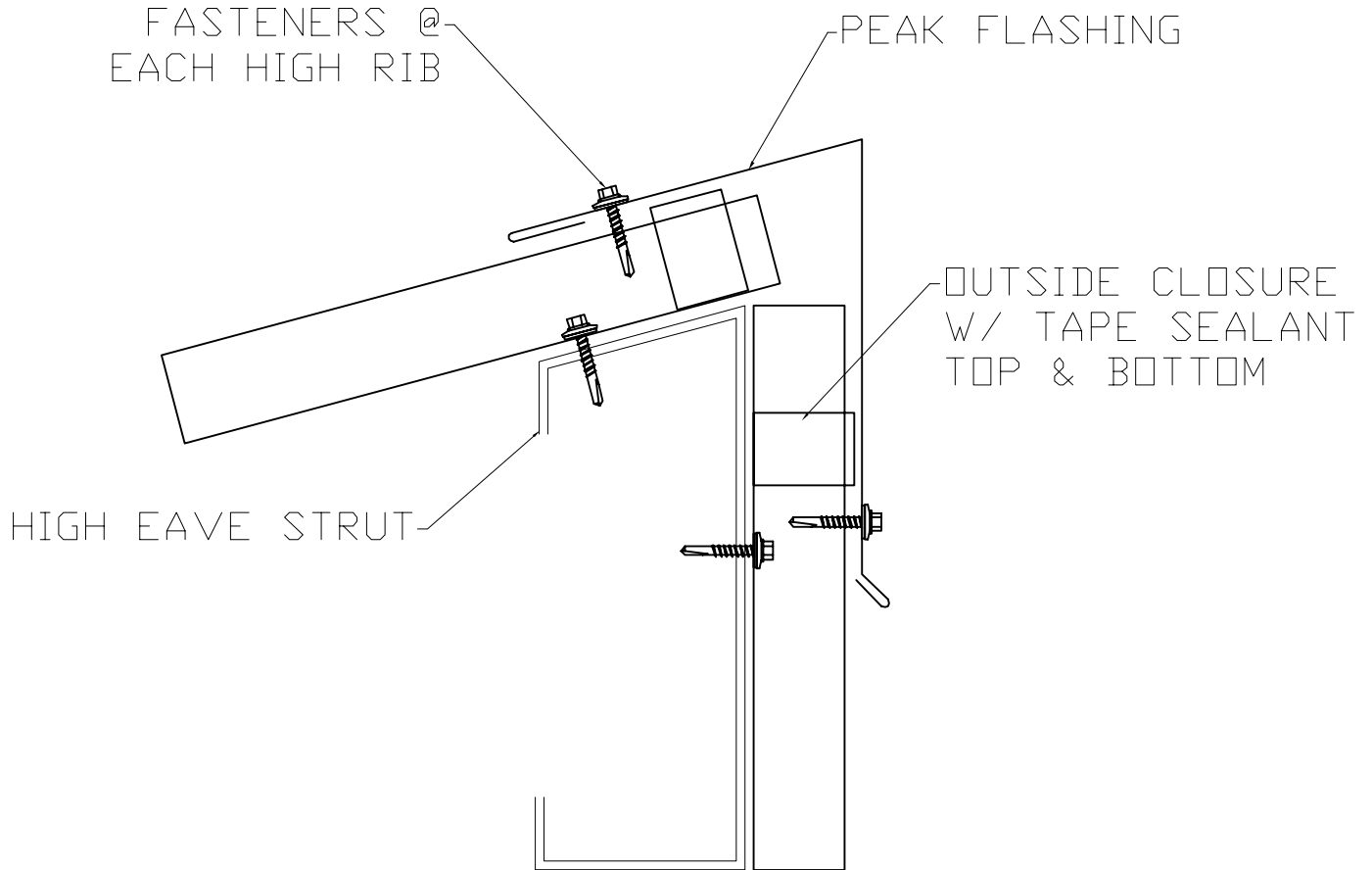
Petersen Headquarters
 1005 Tonne Road
 Elk Grove Village, IL 60007
 P 800 PAC CLAD
 F 800 722 7150

Annapolis Junction
 9060 Junction Drive
 Annapolis Junction, MD 20701
 P 800 344 1400
 F 301 953 7627

Tyler
 10551 PAC Road
 Tyler, TX 75707
 P 800 441 8661
 F 903 581 8592

Acworth
 102 Northpoint Pkwy
 Acworth, GA 30102
 P 800 272 4482
 F 770 420 2533

Andover
 1885 Station Pkwy NW, Ste B
 Andover, MN 55304
 P 877 571 2025
 F 866 901 2935



Job Name _____ Contractor _____

Date _____ Notes _____

PETERSEN ALUMINUM CORPORATION

PAC-CLAD.COM SALES@PETERSENMAIL.COM

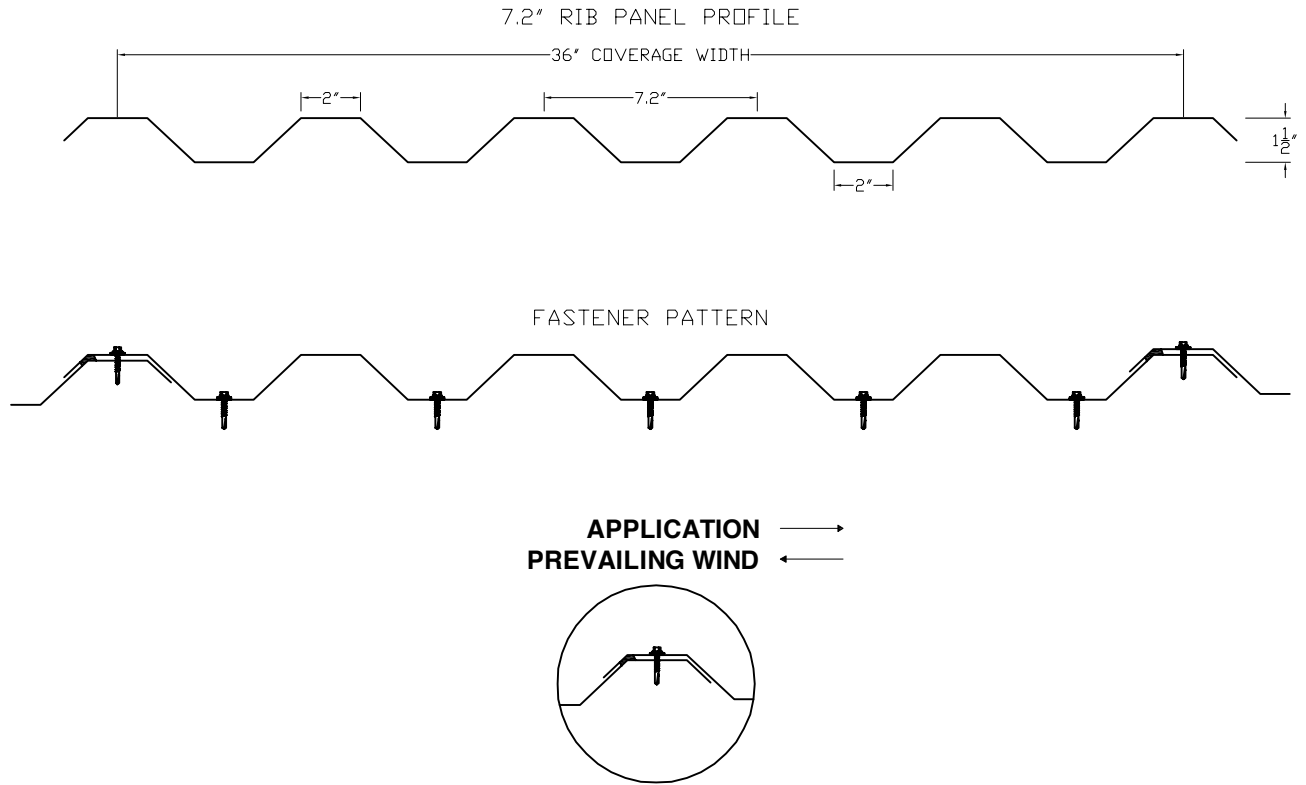
Petersen Headquarters
1005 Tonne Road
Elk Grove Village, IL 60007
P 800 PAC CLAD
F 800 722 7150

Annapolis Junction
9060 Junction Drive
Annapolis Junction, MD 20701
P 800 344 1400
F 301 953 7627

Tyler
10551 PAC Road
Tyler, TX 75707
P 800 441 8661
F 903 581 8592

Acworth
102 Northpoint Pkwy
Acworth, GA 30102
P 800 272 4482
F 770 420 2533

Andover
1885 Station Pkwy NW, Ste B
Andover, MN 55304
P 877 571 2025
F 866 901 2935


NOTE:

1. Panels should always be lapped against prevailing winds.
2. The above fastening patterns are typical and may not be appropriate for all applications. Consult a Professional Engineer for specific requirements.
3. $\frac{1}{8}$ " x $\frac{1}{2}$ " tape sealant shall be used at all side laps when used as a roof panel.
4. Side lap fasteners are required. Typical spacing is 18", however this spacing may not be appropriate for all applications. Consult a Professional Engineer for specific requirements.
5. DO NOT USE NAILS FOR ANY PANEL ATTACHMENT.

Job Name _____ Contractor _____

Date _____ Notes _____

PETERSEN ALUMINUM CORPORATION

PAC-CLAD.COM SALES@PETERSENMAIL.COM

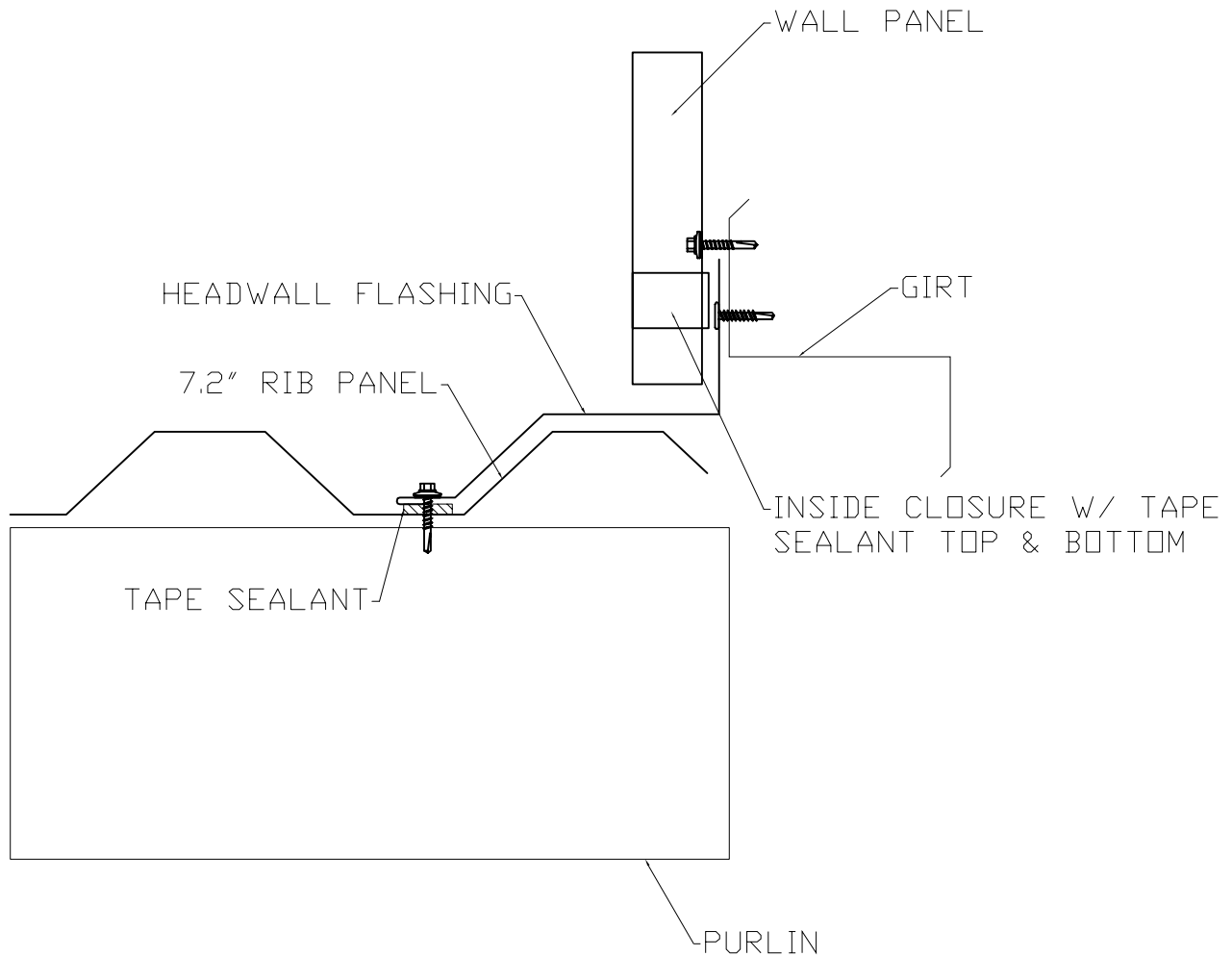
Petersen Headquarters
1005 Tonne Road
Elk Grove Village, IL 60007
P 800 PAC CLAD
F 800 722 7150

Annapolis Junction
9060 Junction Drive
Annapolis Junction, MD 20701
P 800 344 1400
F 301 953 7627

Tyler
10551 PAC Road
Tyler, TX 75707
P 800 441 8661
F 903 581 8592

Acworth
102 Northpoint Pkwy
Acworth, GA 30102
P 800 272 4482
F 770 420 2533

Andover
1885 Station Pkwy NW, Ste B
Andover, MN 55304
P 877 571 2025
F 866 901 2935



Job Name _____ Contractor _____

Date _____ Notes _____

PETERSEN ALUMINUM CORPORATION

PAC-CLAD.COM SALES@PETERSENMAIL.COM

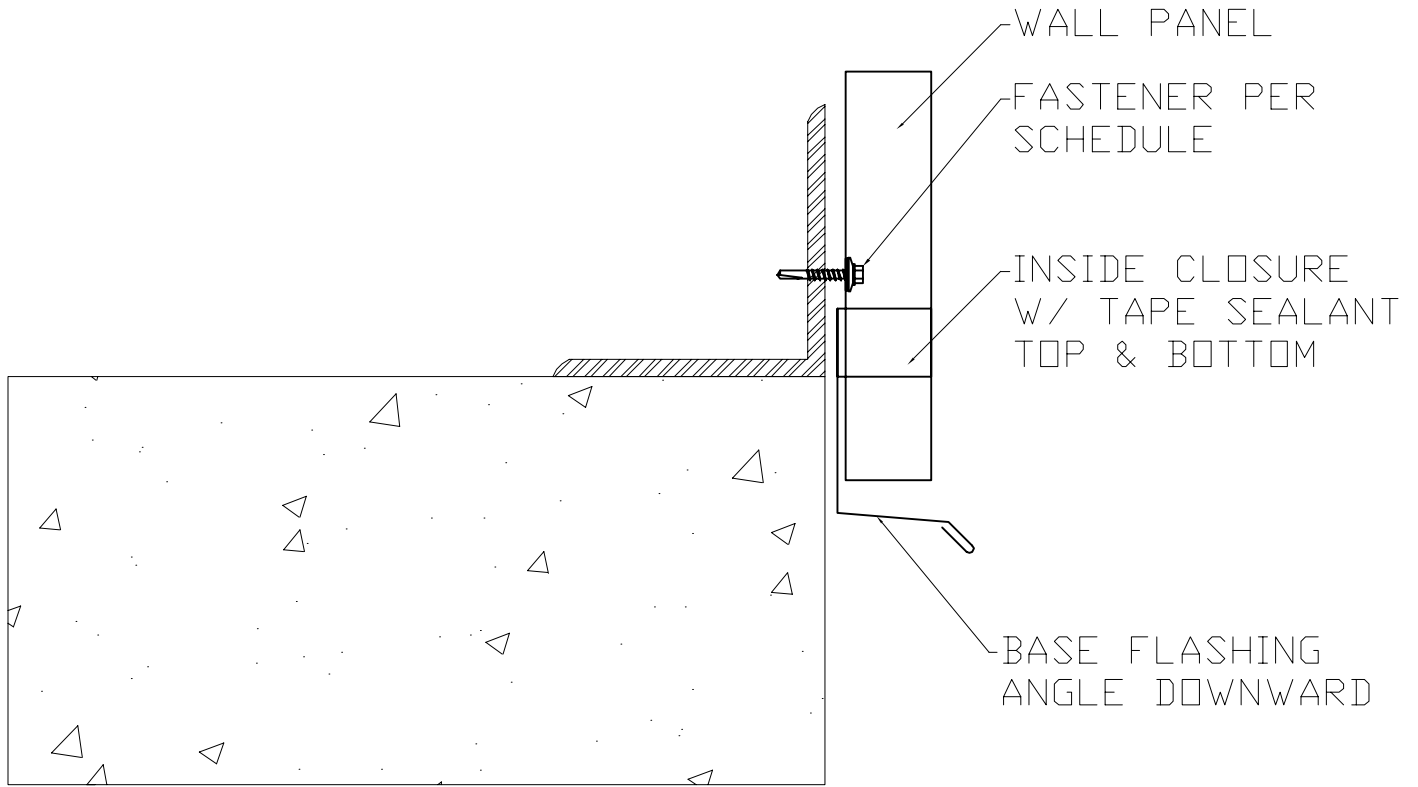
Petersen Headquarters
 1005 Tonne Road
 Elk Grove Village, IL 60007
 P 800 PAC CLAD
 F 800 722 7150

Annapolis Junction
 9060 Junction Drive
 Annapolis Junction, MD 20701
 P 800 344 1400
 F 301 953 7627

Tyler
 10551 PAC Road
 Tyler, TX 75707
 P 800 441 8661
 F 903 581 8592

Acworth
 102 Northpoint Pkwy
 Acworth, GA 30102
 P 800 272 4482
 F 770 420 2533

Andover
 1885 Station Pkwy NW, Ste B
 Andover, MN 55304
 P 877 571 2025
 F 866 901 2935



Job Name _____ Contractor _____

Date _____ Notes _____

PETERSEN ALUMINUM CORPORATION
PAC-CLAD.COM SALES@PETERSENMAIL.COM

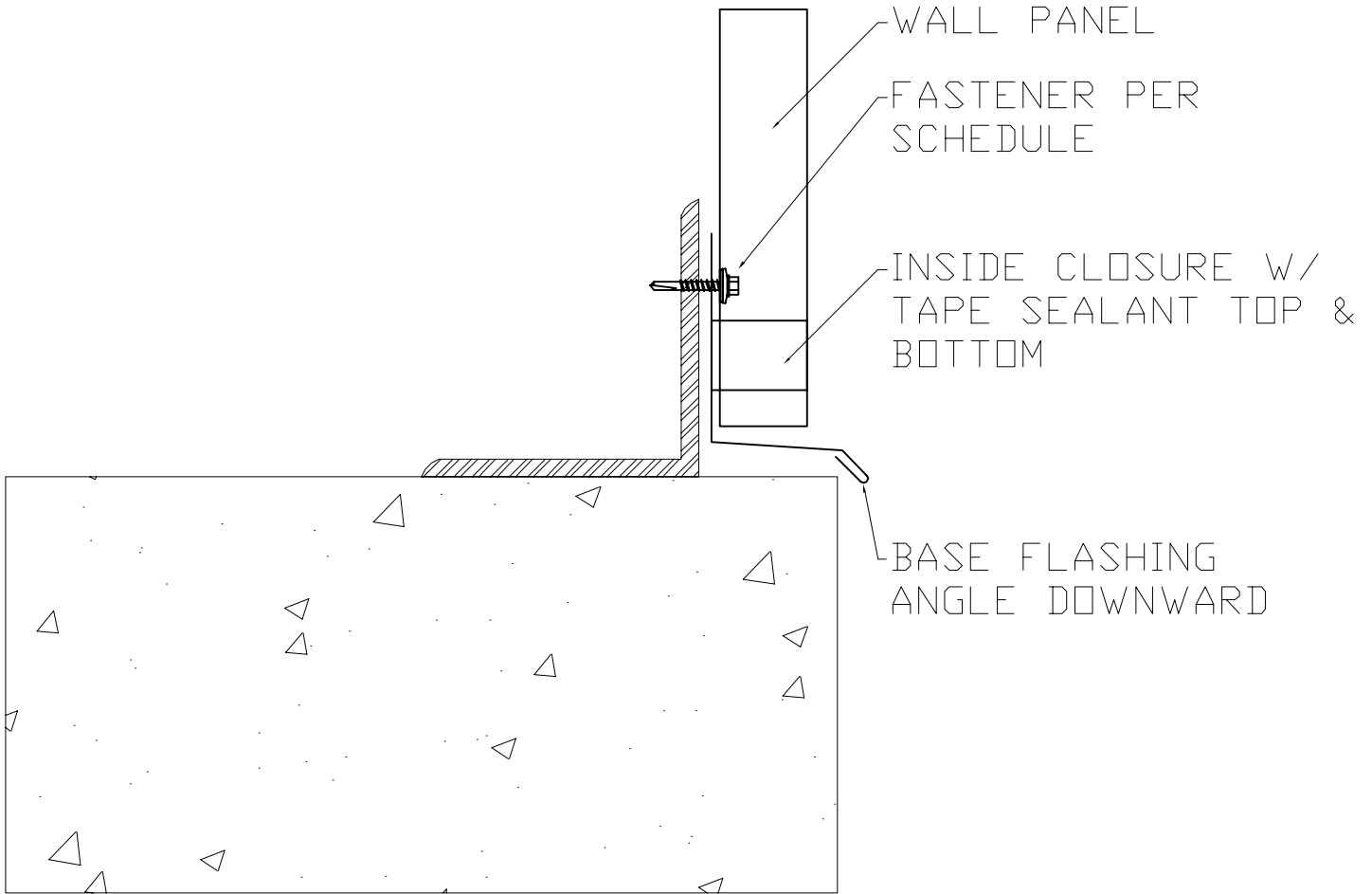
Petersen Headquarters
 1005 Tonne Road
 Elk Grove Village, IL 60007
 P 800 PAC CLAD
 F 800 722 7150

Annapolis Junction
 9060 Junction Drive
 Annapolis Junction, MD 20701
 P 800 344 1400
 F 301 953 7627

Tyler
 10551 PAC Road
 Tyler, TX 75707
 P 800 441 8661
 F 903 581 8592

Acworth
 102 Northpoint Pkwy
 Acworth, GA 30102
 P 800 272 4482
 F 770 420 2533

Andover
 1885 Station Pkwy NW, Ste B
 Andover, MN 55304
 P 877 571 2025
 F 866 901 2935



Job Name _____ Contractor _____

Date _____ Notes _____

PETERSEN ALUMINUM CORPORATION

PAC-CLAD.COM SALES@PETERSENMAIL.COM

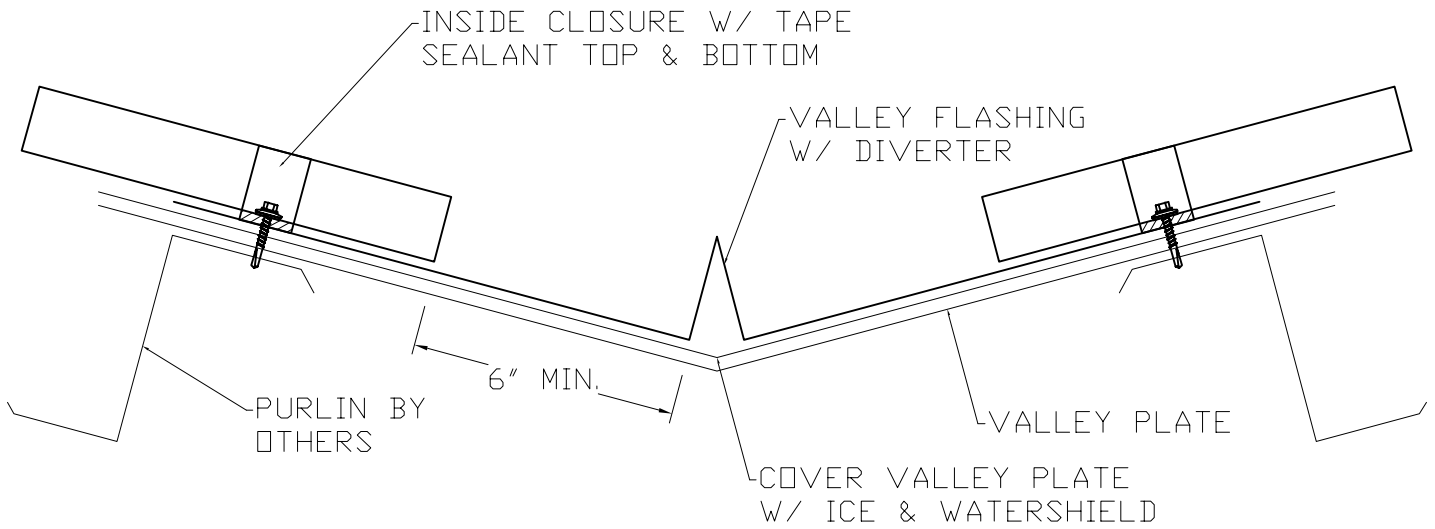
Petersen Headquarters
 1005 Tonne Road
 Elk Grove Village, IL 60007
 P 800 PAC CLAD
 F 800 722 7150

Annapolis Junction
 9060 Junction Drive
 Annapolis Junction, MD 20701
 P 800 344 1400
 F 301 953 7627

Tyler
 10551 PAC Road
 Tyler, TX 75707
 P 800 441 8661
 F 903 581 8592

Acworth
 102 Northpoint Pkwy
 Acworth, GA 30102
 P 800 272 4482
 F 770 420 2533

Andover
 1885 Station Pkwy NW, Ste B
 Andover, MN 55304
 P 877 571 2025
 F 866 901 2935



Job Name _____ Contractor _____

Date _____ Notes _____

PETERSEN ALUMINUM CORPORATION
PAC-CLAD.COM SALES@PETERSENMAIL.COM

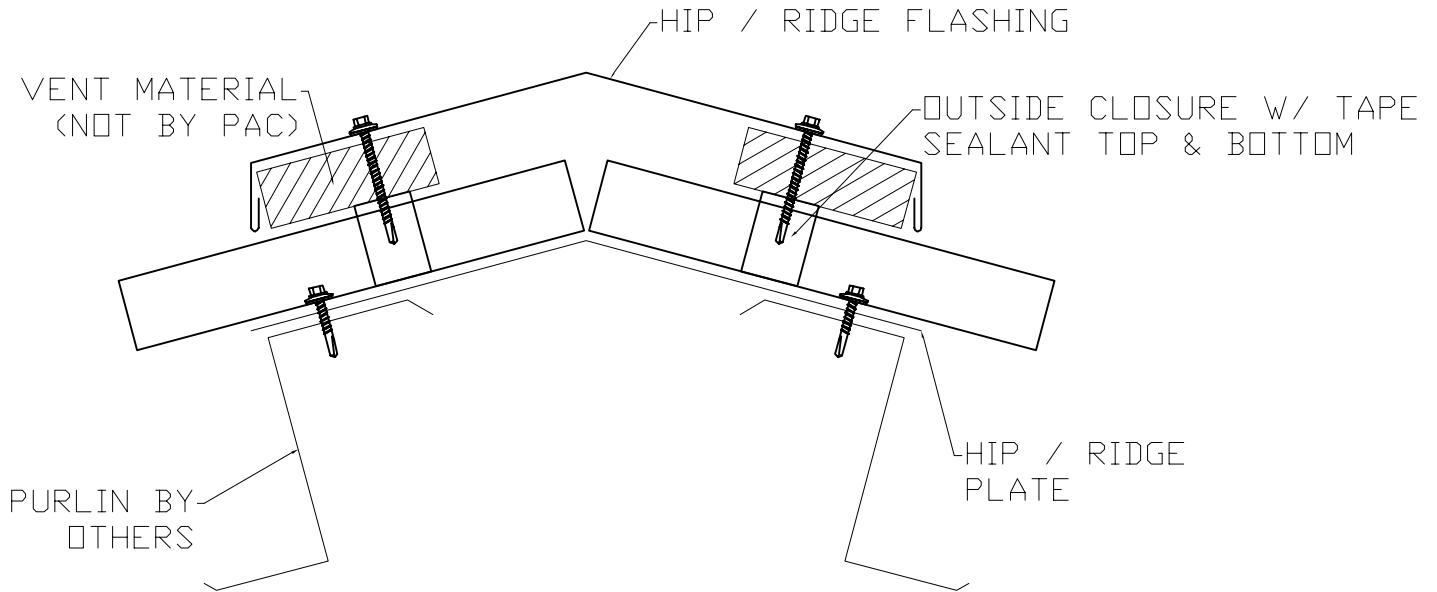
Petersen Headquarters
 1005 Tonne Road
 Elk Grove Village, IL 60007
 P 800 PAC CLAD
 F 800 722 7150

Annapolis Junction
 9060 Junction Drive
 Annapolis Junction, MD 20701
 P 800 344 1400
 F 301 953 7627

Tyler
 10551 PAC Road
 Tyler, TX 75707
 P 800 441 8661
 F 903 581 8592

Acworth
 102 Northpoint Pkwy
 Acworth, GA 30102
 P 800 272 4482
 F 770 420 2533

Andover
 1885 Station Pkwy NW, Ste B
 Andover, MN 55304
 P 877 571 2025
 F 866 901 2935



Job Name _____ Contractor _____

Date _____ Notes _____

PETERSEN ALUMINUM CORPORATION
PAC-CLAD.COM SALES@PETERSENMAIL.COM

Petersen Headquarters
 1005 Tonne Road
 Elk Grove Village, IL 60007
 P 800 PAC CLAD
 F 800 722 7150

Annapolis Junction
 9060 Junction Drive
 Annapolis Junction, MD 20701
 P 800 344 1400
 F 301 953 7627

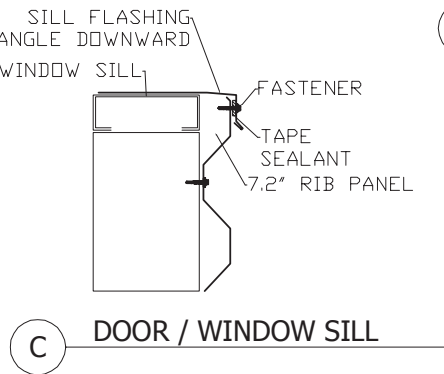
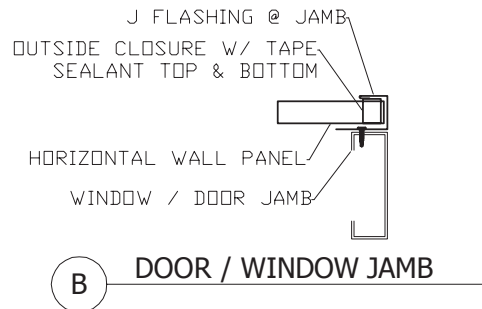
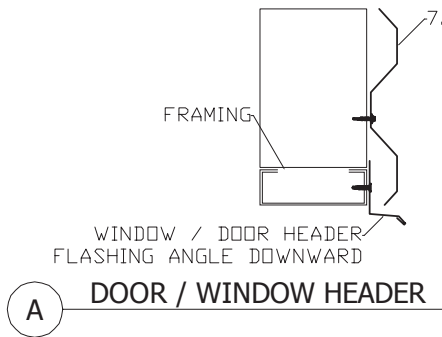
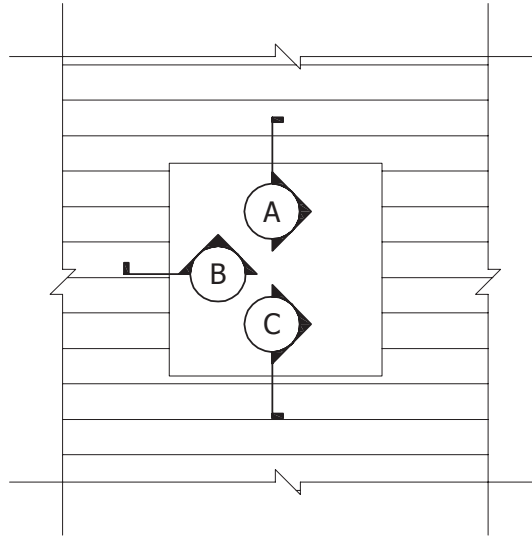
Tyler
 10551 PAC Road
 Tyler, TX 75707
 P 800 441 8661
 F 903 581 8592

Acworth
 102 Northpoint Pkwy
 Acworth, GA 30102
 P 800 272 4482
 F 770 420 2533

Andover
 1885 Station Pkwy NW, Ste B
 Andover, MN 55304
 P 877 571 2025
 F 866 901 2935

DOOR/WINDOW DETAILS - HORIZONTAL PANELS

7.2 PANEL



Job Name _____ Contractor _____

Date _____ Notes _____

PETERSEN ALUMINUM CORPORATION

PAC-CLAD.COM SALES@PETERSENMAIL.COM

HQ: 1005 Tonne Road
Elk Grove Village, IL 60007
P: 800-PAC-CLAD
F: 800-722-7150

9060 Junction Drive
Annapolis Junction, MD 20701
P: 800-344-1400
F: 301-953-7627

10551 PAC Road
Tyler, TX 75707
P: 800-441-8661
F: 903-581-8592

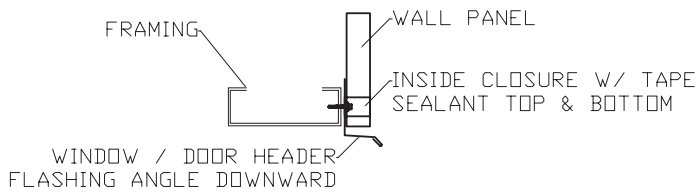
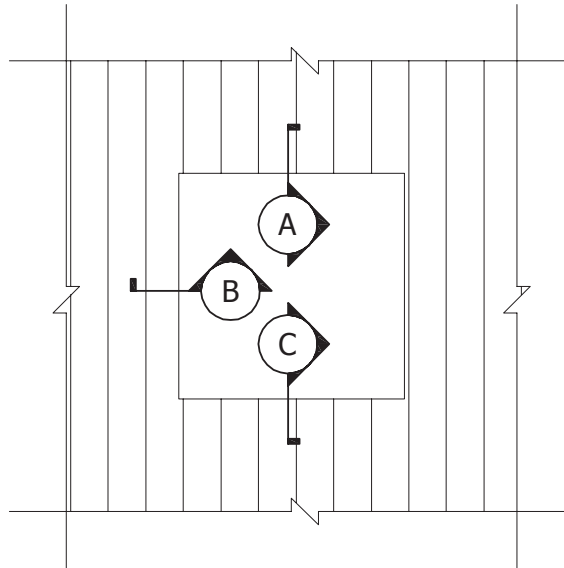
102 Northpoint Parkway
Acworth, GA 30102
P: 800-272-4482
F: 770-420-2533

1800 S. 7th Ave., Suite 130
Phoenix, AZ 85007
P: 833-750-1935
F: 602-254-6504

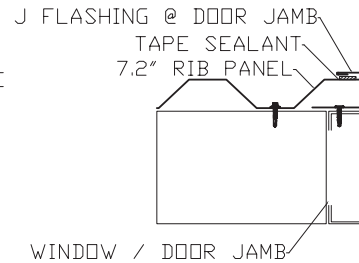
1885 Station Parkway NW, Suite B
Andover, MN 55304
P: 877-571-2025
F: 866-901-2935

DOOR/WINDOW DETAILS - VERTICAL PANELS

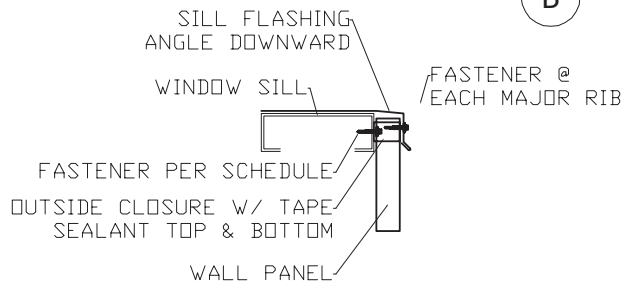
7.2 PANEL



A DOOR / WINDOW HEADER



B DOOR / WINDOW JAMB



C DOOR / WINDOW SILL

Job Name _____ Contractor _____

Date _____ Notes _____

PETERSEN ALUMINUM CORPORATION

PAC-CLAD.COM SALES@PETERSENMAIL.COM

HQ: 1005 Tonne Road
Elk Grove Village, IL 60007
P: 800-PAC-CLAD
F: 800-722-7150

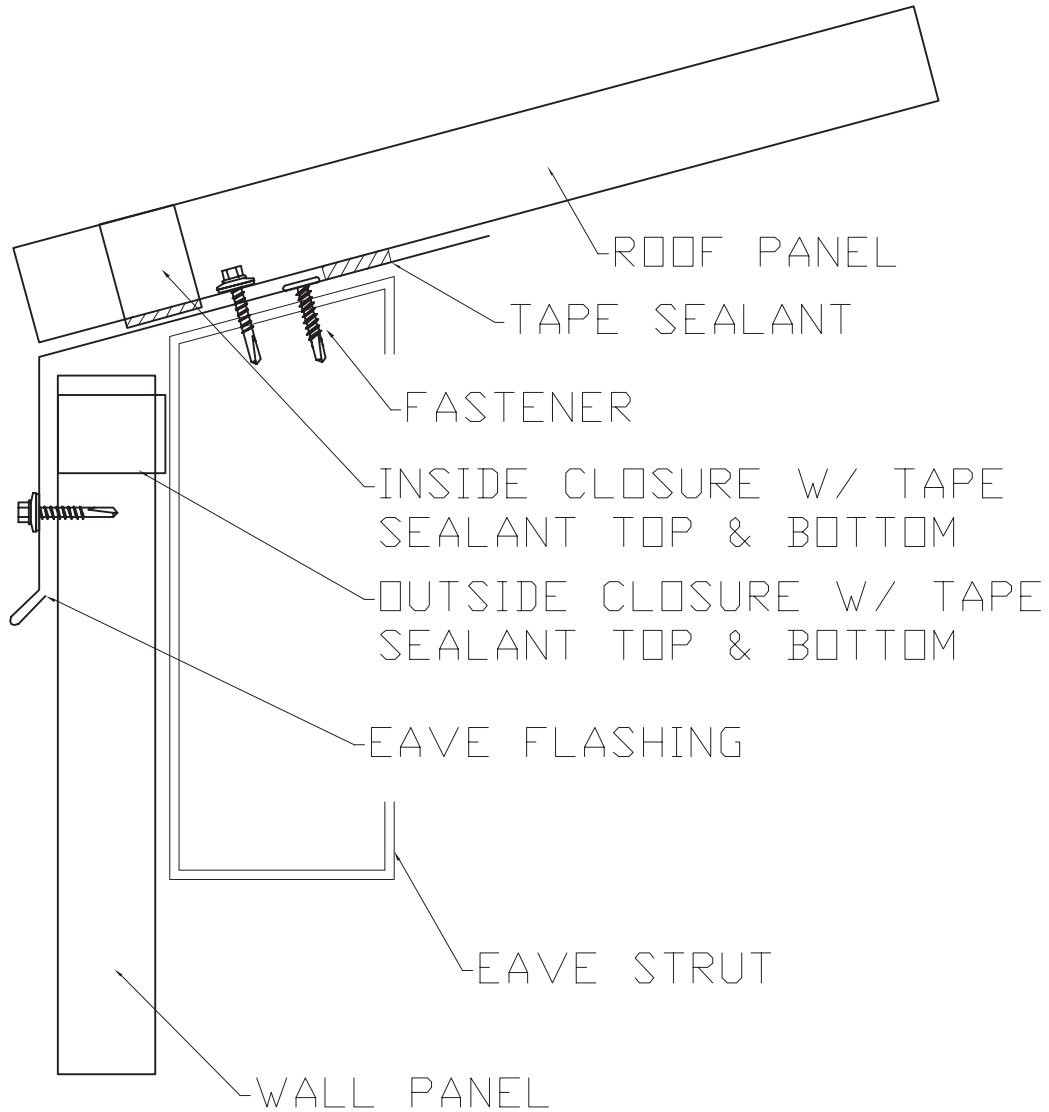
9060 Junction Drive
Annapolis Junction, MD 20701
P: 800-344-1400
F: 301-953-7627

10551 PAC Road
Tyler, TX 75707
P: 800-441-8661
F: 903-581-8592

102 Northpoint Parkway
Acworth, GA 30102
P: 800-272-4482
F: 770-420-2533

1800 S. 7th Ave., Suite 130
Phoenix, AZ 85007
P: 833-750-1935
F: 602-254-6504

1885 Station Parkway NW, Suite B
Andover, MN 55304
P: 877-571-2025
F: 866-901-2935



Job Name _____ Contractor _____

Date _____ Notes _____

PETERSEN ALUMINUM CORPORATION

PAC-CLAD.COM SALES@PETERSENMAIL.COM

HQ: 1005 Tonne Road
Elk Grove Village, IL 60007
P: 800-PAC-CLAD
F: 800-722-7150

9060 Junction Drive
Annapolis Junction, MD 20701
P: 800-344-1400
F: 301-953-7627

10551 PAC Road
Tyler, TX 75707
P: 800-441-8661
F: 903-581-8592

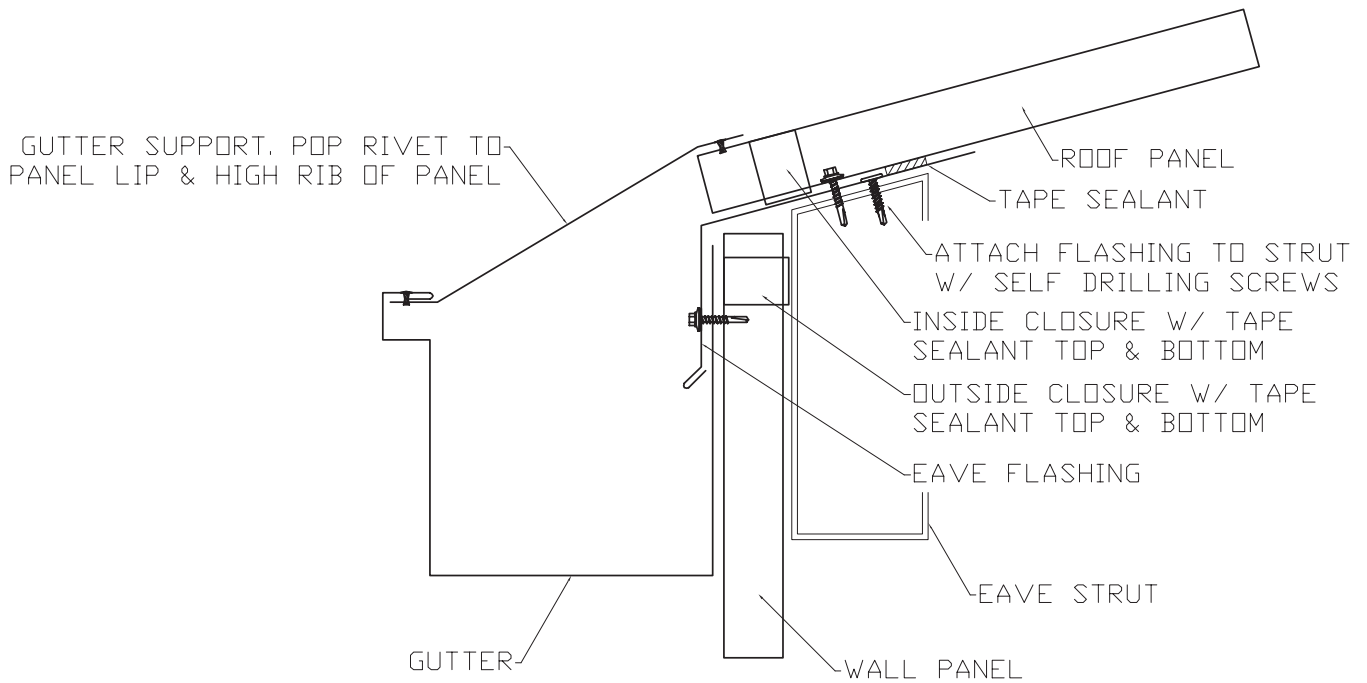
102 Northpoint Parkway
Acworth, GA 30102
P: 800-272-4482
F: 770-420-2533

1800 S. 7th Ave., Suite 130
Phoenix, AZ 85007
P: 833-750-1935
F: 602-254-6504

1885 Station Parkway NW, Suite B
Andover, MN 55304
P: 877-571-2025
F: 866-901-2935

EAVE/GUTTER DETAIL

7.2 PANEL



Job Name _____ Contractor _____

Date _____ Notes _____

PETERSEN ALUMINUM CORPORATION

PAC-CLAD.COM SALES@PETERSENMAIL.COM

HQ: 1005 Tonne Road
Elk Grove Village, IL 60007
P: 800-PAC-CLAD
F: 800-722-7150

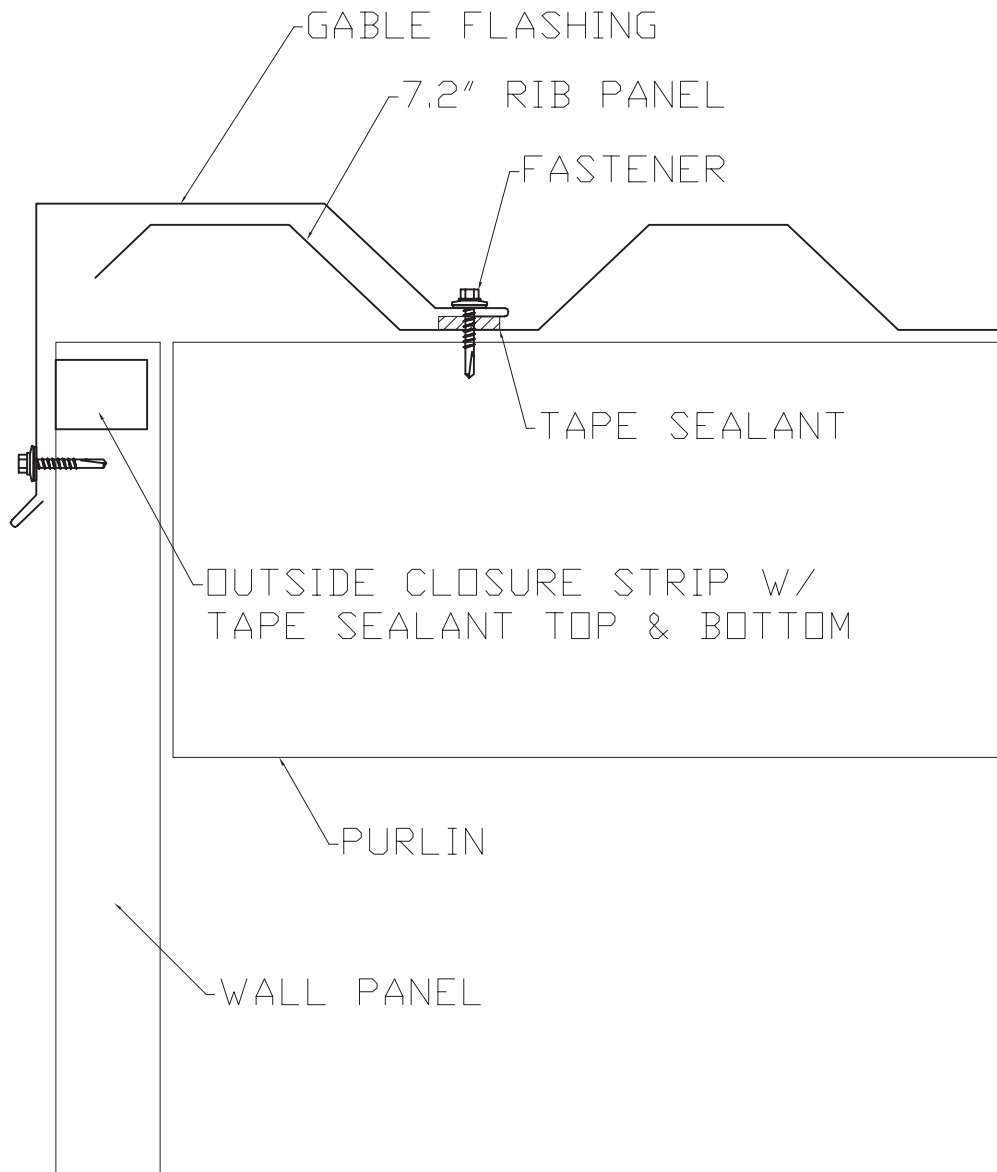
9060 Junction Drive
Annapolis Junction, MD 20701
P: 800-344-1400
F: 301-953-7627

10551 PAC Road
Tyler, TX 75707
P: 800-441-8661
F: 903-581-8592

102 Northpoint Parkway
Acworth, GA 30102
P: 800-272-4482
F: 770-420-2533

1800 S. 7th Ave., Suite 130
Phoenix, AZ 85007
P: 833-750-1935
F: 602-254-6504

1885 Station Parkway NW, Suite B
Andover, MN 55304
P: 877-571-2025
F: 866-901-2935



Job Name _____ Contractor _____

Date _____ Notes _____

PETERSEN ALUMINUM CORPORATION

PAC-CLAD.COM SALES@PETERSENMAIL.COM

HQ: 1005 Tonne Road
Elk Grove Village, IL 60007
P: 800-PAC-CLAD
F: 800-722-7150

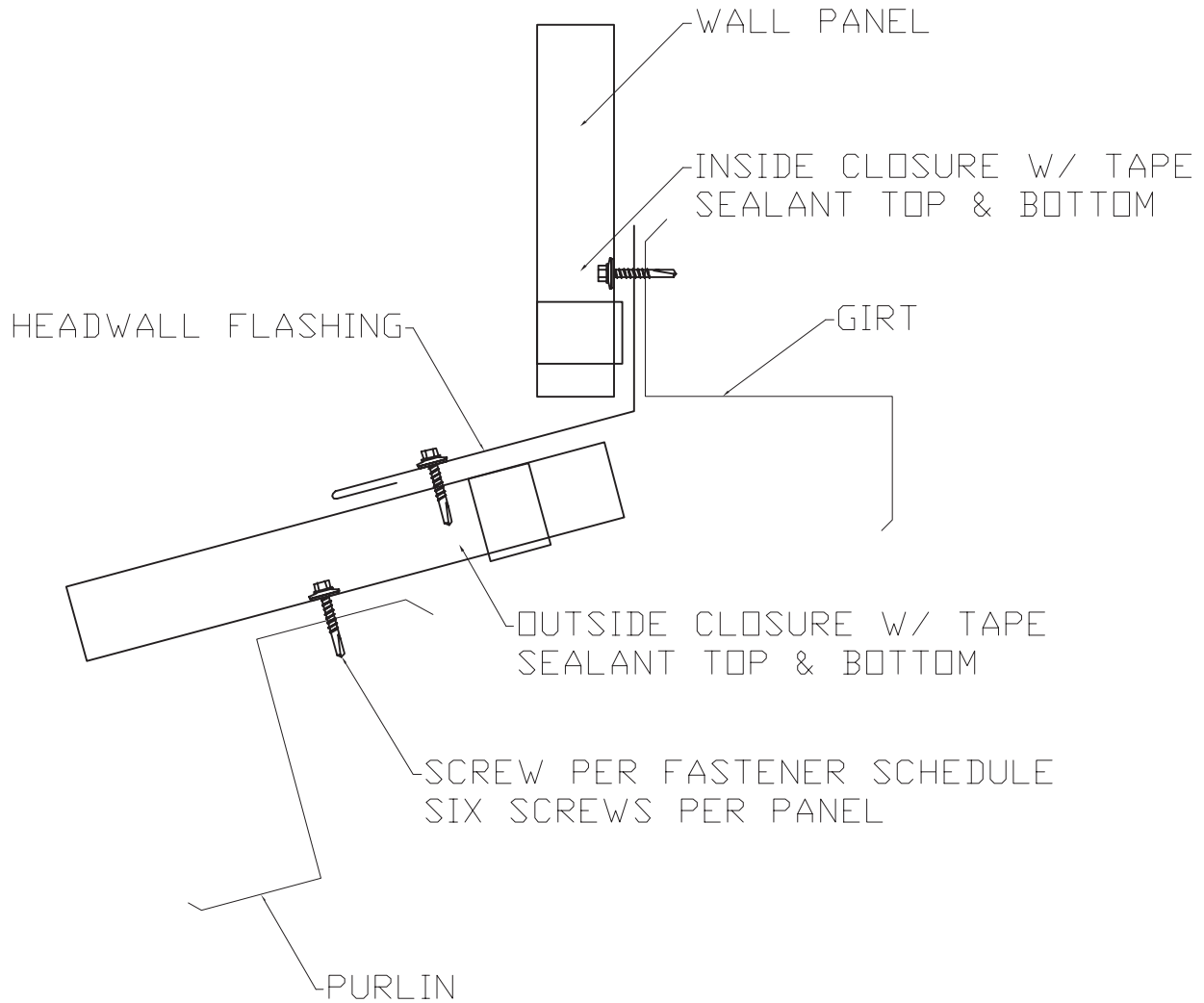
9060 Junction Drive
Annapolis Junction, MD 20701
P: 800-344-1400
F: 301-953-7627

10551 PAC Road
Tyler, TX 75707
P: 800-441-8661
F: 903-581-8592

102 Northpoint Parkway
Acworth, GA 30102
P: 800-272-4482
F: 770-420-2533

1800 S. 7th Ave., Suite 130
Phoenix, AZ 85007
P: 833-750-1935
F: 602-254-6504

1885 Station Parkway NW, Suite B
Andover, MN 55304
P: 877-571-2025
F: 866-901-2935



Job Name _____ Contractor _____

Date _____ Notes _____

PETERSEN ALUMINUM CORPORATION

PAC-CLAD.COM SALES@PETERSENMAIL.COM

HQ: 1005 Tonne Road
Elk Grove Village, IL 60007
P: 800-PAC-CLAD
F: 800-722-7150

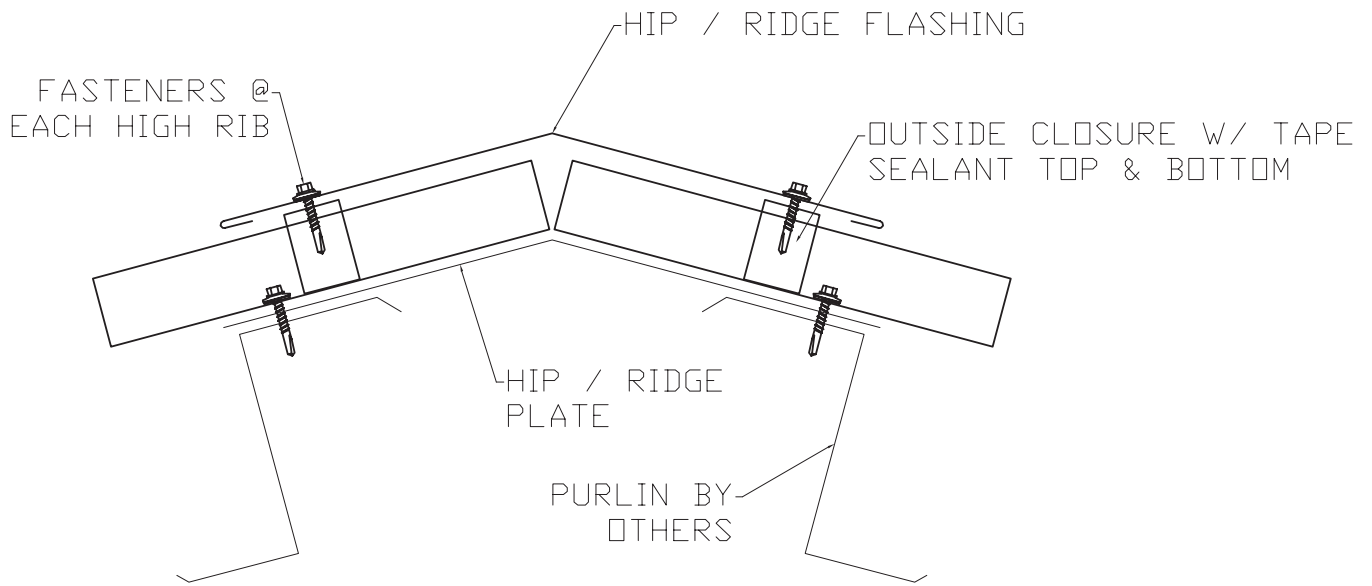
9060 Junction Drive
Annapolis Junction, MD 20701
P: 800-344-1400
F: 301-953-7627

10551 PAC Road
Tyler, TX 75707
P: 800-441-8661
F: 903-581-8592

102 Northpoint Parkway
Acworth, GA 30102
P: 800-272-4482
F: 770-420-2533

1800 S. 7th Ave., Suite 130
Phoenix, AZ 85007
P: 833-750-1935
F: 602-254-6504

1885 Station Parkway NW, Suite B
Andover, MN 55304
P: 877-571-2025
F: 866-901-2935



Job Name _____ Contractor _____

Date _____ Notes _____

PETERSEN ALUMINUM CORPORATION

PAC-CLAD.COM SALES@PETERSENMAIL.COM

HQ: 1005 Tonne Road
Elk Grove Village, IL 60007
P: 800-PAC-CLAD
F: 800-722-7150

9060 Junction Drive
Annapolis Junction, MD 20701
P: 800-344-1400
F: 301-953-7627

10551 PAC Road
Tyler, TX 75707
P: 800-441-8661
F: 903-581-8592

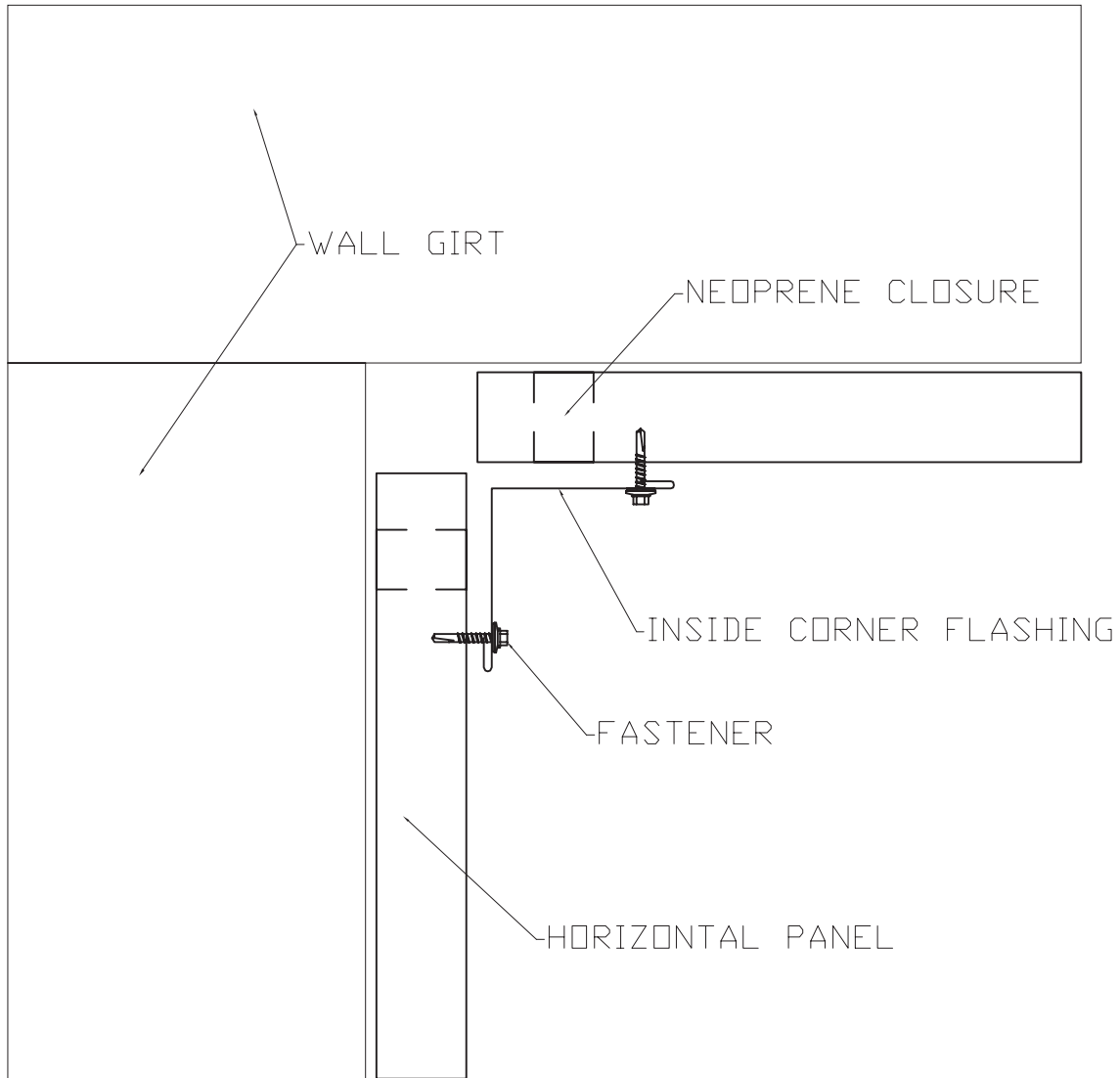
102 Northpoint Parkway
Acworth, GA 30102
P: 800-272-4482
F: 770-420-2533

1800 S. 7th Ave., Suite 130
Phoenix, AZ 85007
P: 833-750-1935
F: 602-254-6504

1885 Station Parkway NW, Suite B
Andover, MN 55304
P: 877-571-2025
F: 866-901-2935

INSIDE CORNER - HORIZONTAL PANELS

7.2 PANEL



Job Name _____ Contractor _____

Date _____ Notes _____

PETERSEN ALUMINUM CORPORATION

PAC-CLAD.COM SALES@PETERSENMAIL.COM

HQ: 1005 Tonne Road
Elk Grove Village, IL 60007
P: 800-PAC-CLAD
F: 800-722-7150

9060 Junction Drive
Annapolis Junction, MD 20701
P: 800-344-1400
F: 301-953-7627

10551 PAC Road
Tyler, TX 75707
P: 800-441-8661
F: 903-581-8592

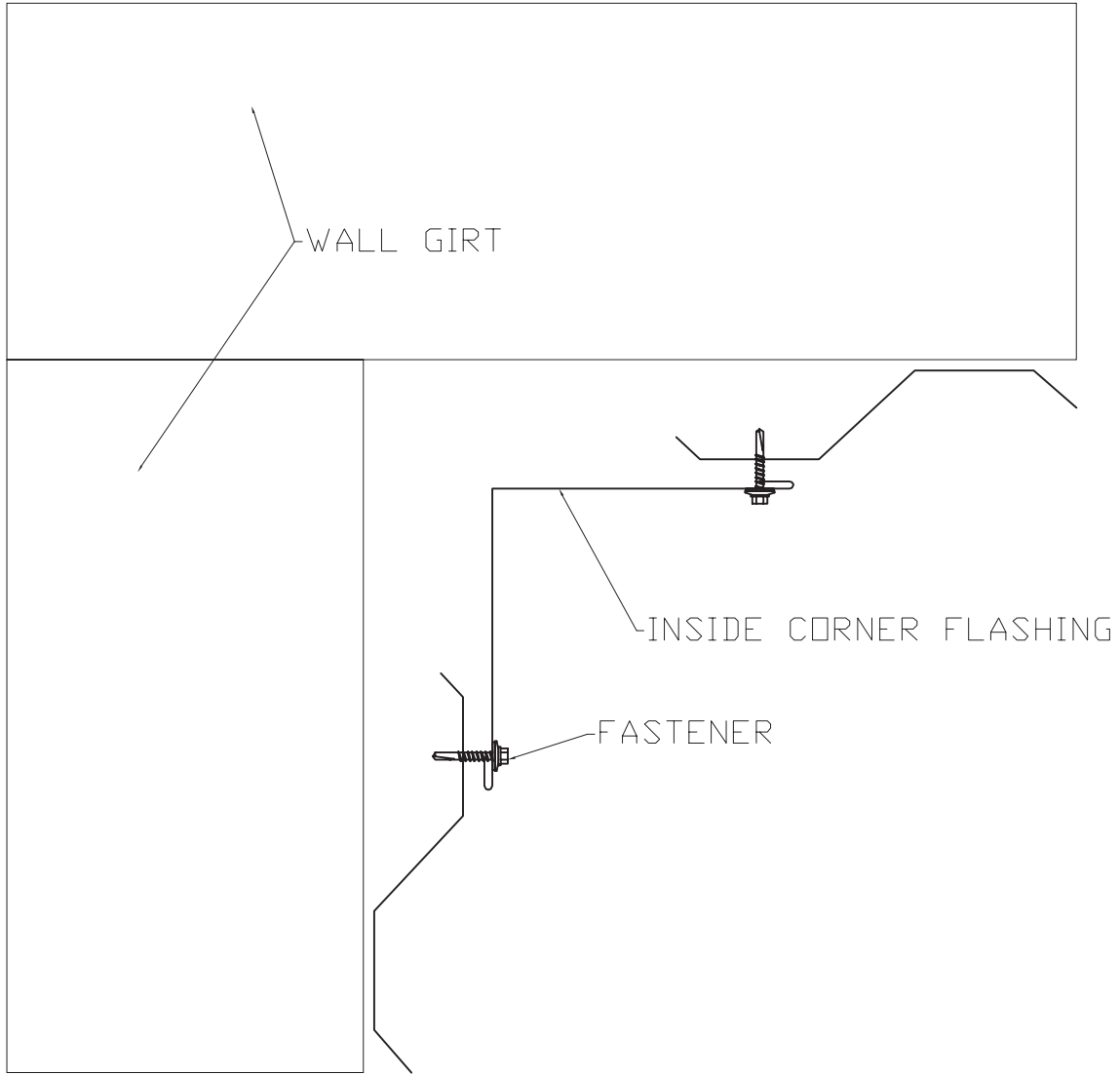
102 Northpoint Parkway
Acworth, GA 30102
P: 800-272-4482
F: 770-420-2533

1800 S. 7th Ave., Suite 130
Phoenix, AZ 85007
P: 833-750-1935
F: 602-254-6504

1885 Station Parkway NW, Suite B
Andover, MN 55304
P: 877-571-2025
F: 866-901-2935

INSIDE CORNER DETAIL - VERTICAL PANELS

7.2 PANEL



Job Name _____ Contractor _____

Date _____ Notes _____

PETERSEN ALUMINUM CORPORATION

PAC-CLAD.COM SALES@PETERSENMAIL.COM

HQ: 1005 Tonne Road
Elk Grove Village, IL 60007
P: 800-PAC-CLAD
F: 800-722-7150

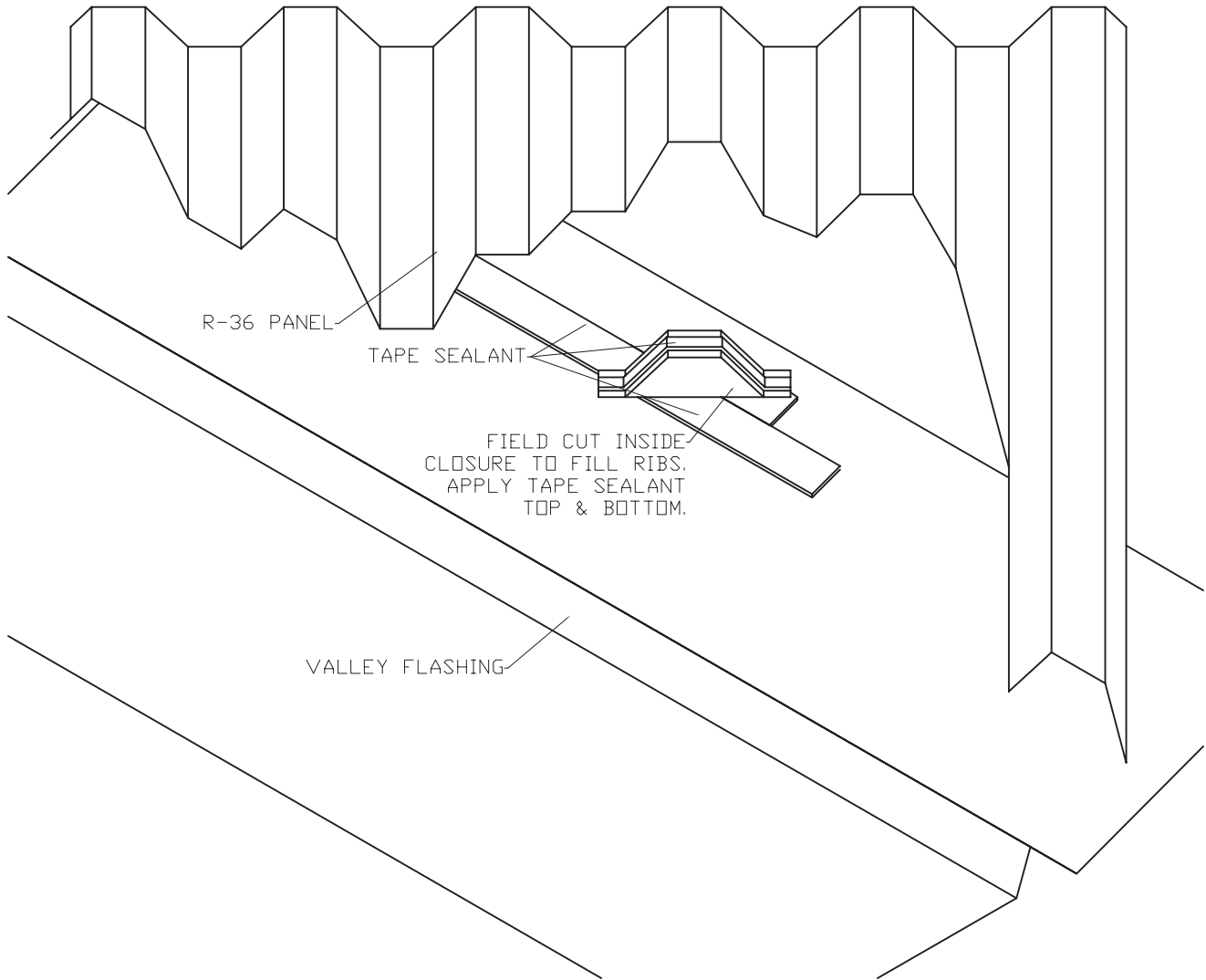
9060 Junction Drive
Annapolis Junction, MD 20701
P: 800-344-1400
F: 301-953-7627

10551 PAC Road
Tyler, TX 75707
P: 800-441-8661
F: 903-581-8592

102 Northpoint Parkway
Acworth, GA 30102
P: 800-272-4482
F: 770-420-2533

1800 S. 7th Ave., Suite 130
Phoenix, AZ 85007
P: 833-750-1935
F: 602-254-6504

1885 Station Parkway NW, Suite B
Andover, MN 55304
P: 877-571-2025
F: 866-901-2935



Job Name _____ Contractor _____

Date _____ Notes _____

PETERSEN ALUMINUM CORPORATION

PAC-CLAD.COM SALES@PETERSENMAIL.COM

HQ: 1005 Tonne Road
Elk Grove Village, IL 60007
P: 800-PAC-CLAD
F: 800-722-7150

9060 Junction Drive
Annapolis Junction, MD 20701
P: 800-344-1400
F: 301-953-7627

10551 PAC Road
Tyler, TX 75707
P: 800-441-8661
F: 903-581-8592

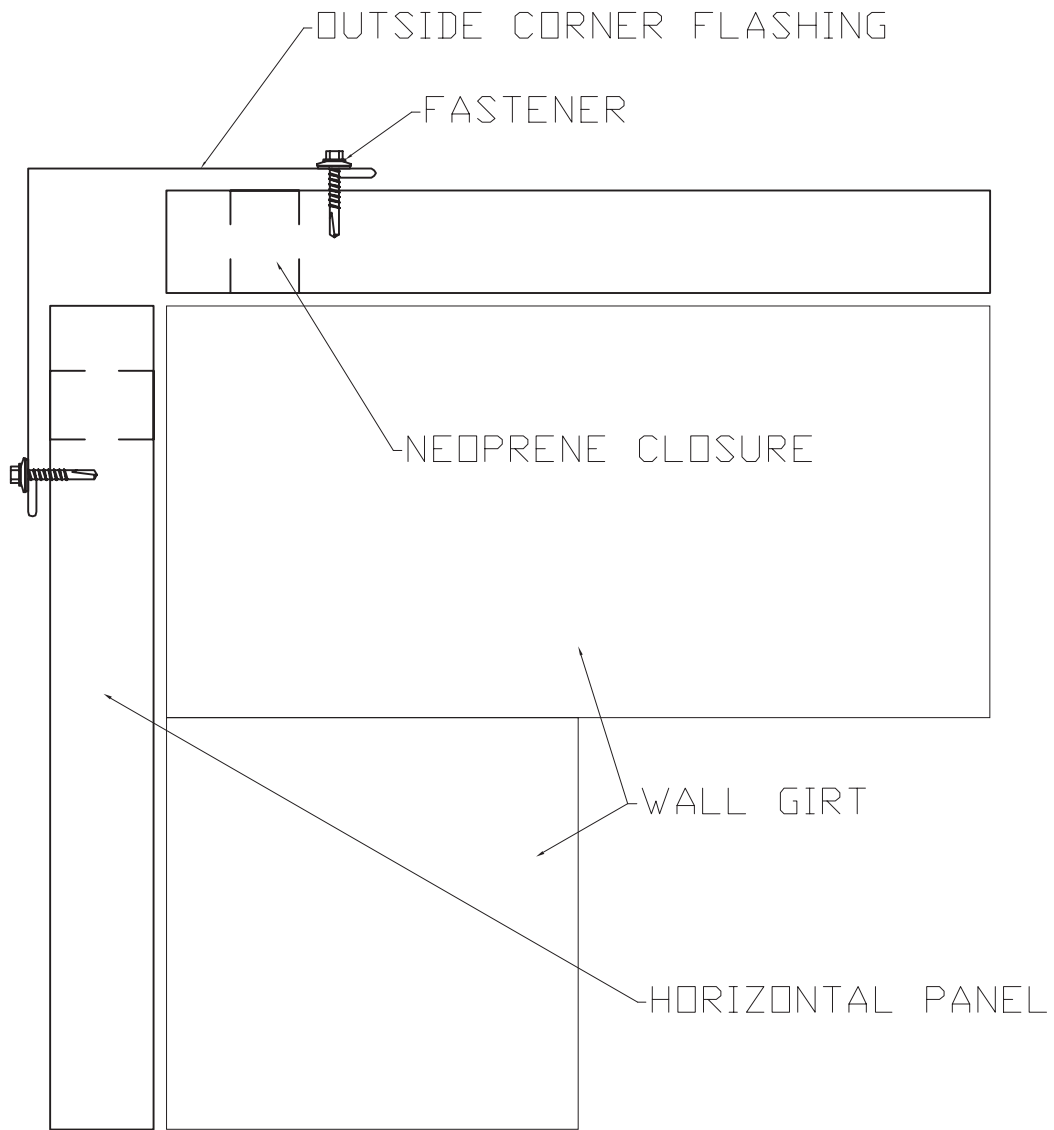
102 Northpoint Parkway
Acworth, GA 30102
P: 800-272-4482
F: 770-420-2533

1800 S. 7th Ave., Suite 130
Phoenix, AZ 85007
P: 833-750-1935
F: 602-254-6504

1885 Station Parkway NW, Suite B
Andover, MN 55304
P: 877-571-2025
F: 866-901-2935

OUTSIDE CORNER - HORIZONTAL PANELS

7.2 PANEL



Job Name _____ Contractor _____

Date _____ Notes _____

PETERSEN ALUMINUM CORPORATION

PAC-CLAD.COM SALES@PETERSENMAIL.COM

HQ: 1005 Tonne Road
Elk Grove Village, IL 60007
P: 800-PAC-CLAD
F: 800-722-7150

9060 Junction Drive
Annapolis Junction, MD 20701
P: 800-344-1400
F: 301-953-7627

10551 PAC Road
Tyler, TX 75707
P: 800-441-8661
F: 903-581-8592

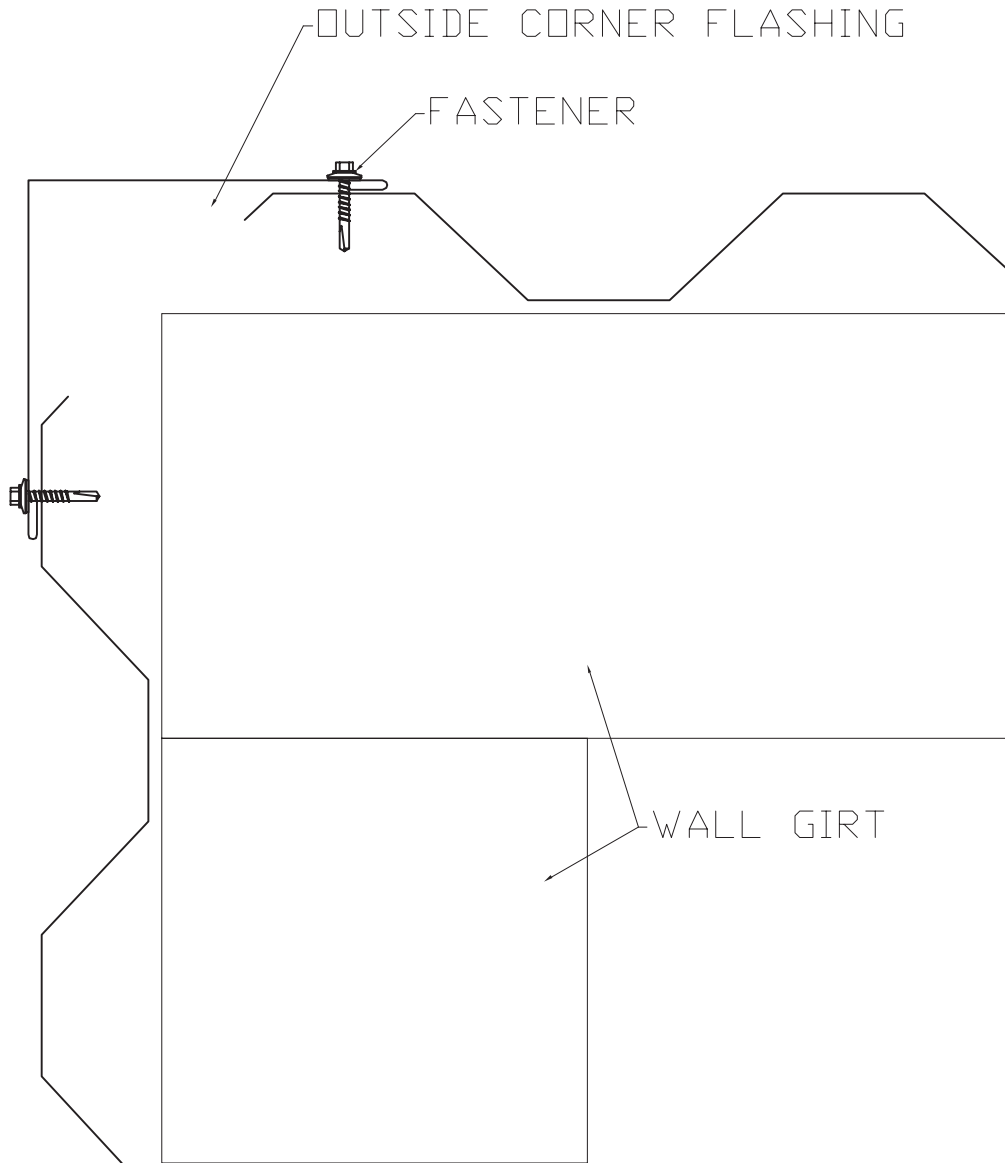
102 Northpoint Parkway
Acworth, GA 30102
P: 800-272-4482
F: 770-420-2533

1800 S. 7th Ave., Suite 130
Phoenix, AZ 85007
P: 833-750-1935
F: 602-254-6504

1885 Station Parkway NW, Suite B
Andover, MN 55304
P: 877-571-2025
F: 866-901-2935

OUTSIDE CORNER DETAIL - VERTICAL PANELS

7.2 PANEL



Job Name _____ Contractor _____

Date _____ Notes _____

PETERSEN ALUMINUM CORPORATION

PAC-CLAD.COM SALES@PETERSENMAIL.COM

HQ: 1005 Tonne Road
Elk Grove Village, IL 60007
P: 800-PAC-CLAD
F: 800-722-7150

9060 Junction Drive
Annapolis Junction, MD 20701
P: 800-344-1400
F: 301-953-7627

10551 PAC Road
Tyler, TX 75707
P: 800-441-8661
F: 903-581-8592

102 Northpoint Parkway
Acworth, GA 30102
P: 800-272-4482
F: 770-420-2533

1800 S. 7th Ave., Suite 130
Phoenix, AZ 85007
P: 833-750-1935
F: 602-254-6504

1885 Station Parkway NW, Suite B
Andover, MN 55304
P: 877-571-2025
F: 866-901-2935